

SPS fibre FORM Instrument Enclosure Accessories.....

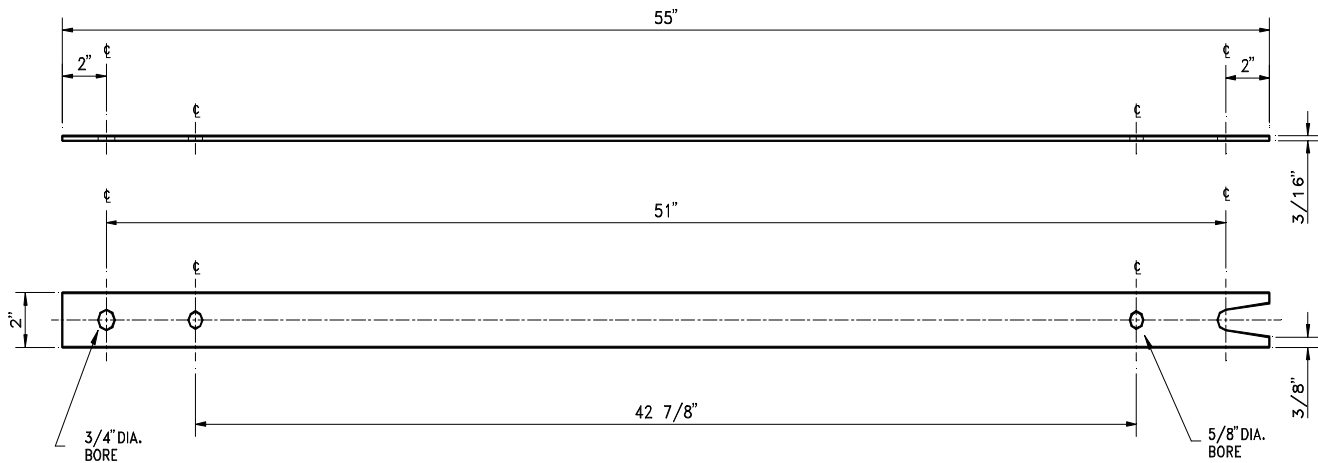
Accessory Type: SWB 480 Surface / Wall Mounting Bracket

Dimensions: Length x Width x Thickness
55"(1400mm) x 2"(50mm) x 3/16"(5mm)

Weight: 7 lbs. / 3 kgs. (each)

Material: 304 Stainless Steel

SPS/fibreFORM enclosures can be wall mounted using a Wall Bracket. This unit is a straight pattern of 304ss. These wall brackets are used in conjunction with the Corner Mounts to ensure that the weight of the instruments inside the enclosure is transferred to the wall, eliminating stress to the enclosure



Notes:

- Brackets mounted with 3/8" Stainless hex head bolt
- For type 480 enclosure
- Used in conjunction with Corner Mount Bolt (CMSS)