

SPS fibre FORM Instrument Enclosure Accessory. Type - RMS.....

Internal Rail Mounting System.

Material: Galvanized Carbon Steel.

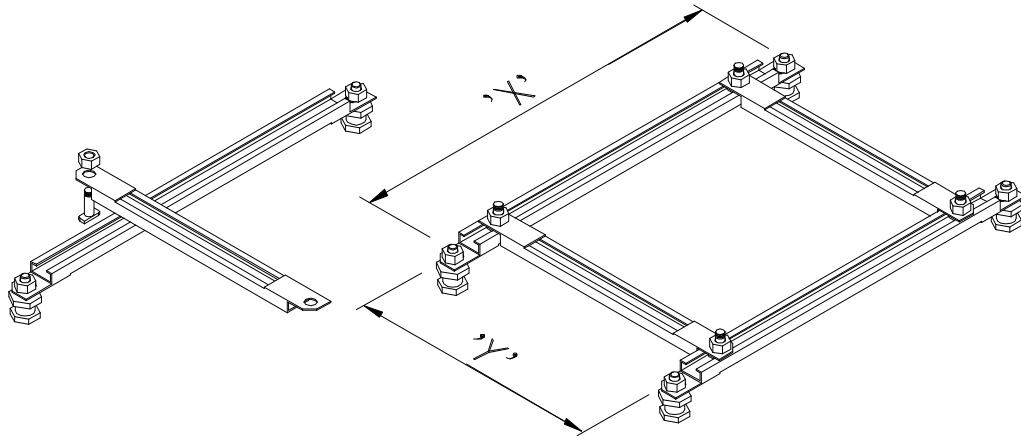
Note: RMS systems comes complete with

2 - Fixed & 2 - Moveable Rails

8 - 3/8" - 16 'T' Bolts c/w Nuts

4 - CMCSF Corner Mounts

SPS fibreFORM's RMS (Rail Mounting Systems) provides versatile mounting for all types of instrumentation, and can be designed to fit any fibreForm enclosure. SPS fibreForm's RMS is combined with Corner Mounts to transfer the weight of all internal instrumentation components to the enclosure exterior mounting hardware. This internal/external mounting combination eliminates stress on the enclosure.



Enclosure Type	'X' Inches	'X' Millimeters	'Y' Inches	'Y' Millimeters
FF52/100	10 3/8	265	10 3/8	265
FF102/3	14 1/2	370	11 3/4	300
FF221	12	305	9	230
FF222	17 1/2	445	12	305
FF105/7	24 3/4	630	15 3/4	400
FF106/8	24	610	15 1/8	385
FF130	28 3/8	720	22 1/2	575
FF160/3	13 1/2	345	8 1/2	220
FF480	42 7/8	1090	30 1/8	765

*All enclosures listed above are listed as the Vertical being stationary, and the Horizontal being moveable.

*RMS's can be ordered so that the Vertical is moveable, and the Horizontal is stationary.

*Dimensions given are to centerlines of bolting.