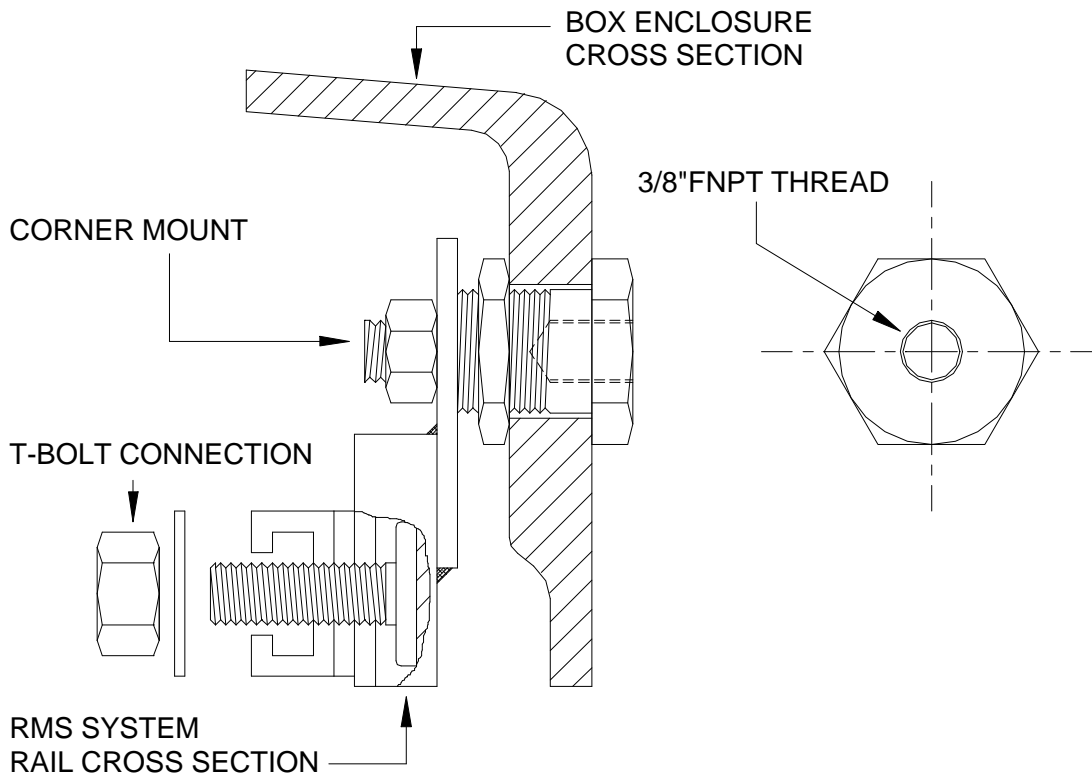


SPS fibre FORM Instrument Enclosure Accessories..... Type CM

Type: CMSS
Stainless Steel Corner Mounting Element
Type: CMCS
Plated Carbon Steel Corner Mounting Element

Four (4) pieces required per enclosure
Uses:
Internal mounting of plates, rail system
External mounting to support rails, posts



CORNER MOUNT / RMS SYSTEM ASSEMBLY



Superior **P**rotection **S**tructures