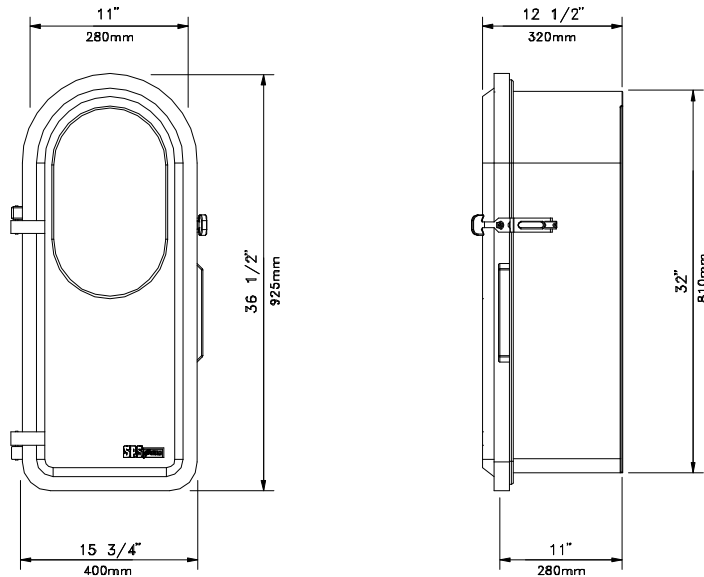


SPS fibre FORM Instrument Protection Enclosure Type FF5103

Dimensions: (Approx.) Height x Width x Depth
36 1/2"(930mm) x 11"(280mm) x 12 1/2"(320mm)
Weights: (Approx.)
Finished Box: 19.8 lbs. / 9.5 kgs.

SPS/fibreFORM "Fireboxes" are "Resin Transfer Molded" with glass reinforced epoxy vinyl ester resin. The outer surface standard is safety red coloured "Gel-Coat" for ultimate "UV" protection.



OPTIONS:

- | | |
|----|--------------------------------------|
| PW | - Plexi-Glass Window |
| SW | - Safety Glass Window |
| GC | - Gel Coat - Other Colours Available |

