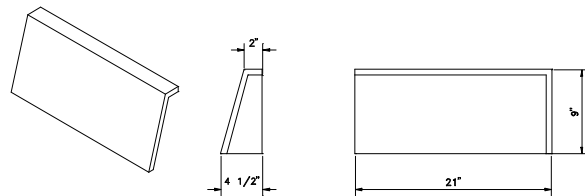
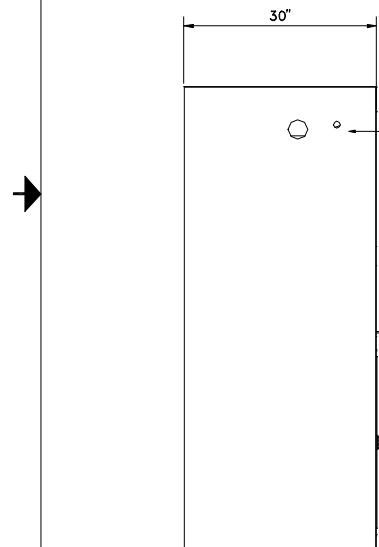


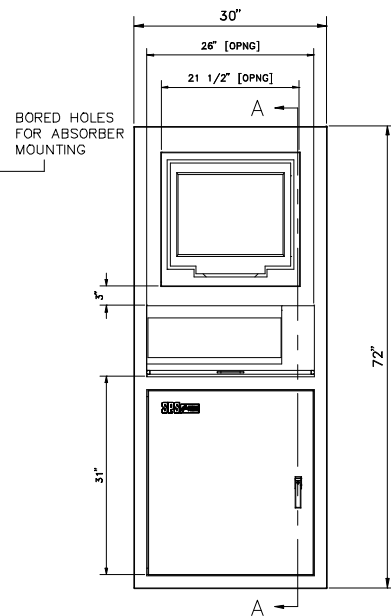
MONITOR SEALING PLATE
CONFIRM SIZE DIMENSIONS



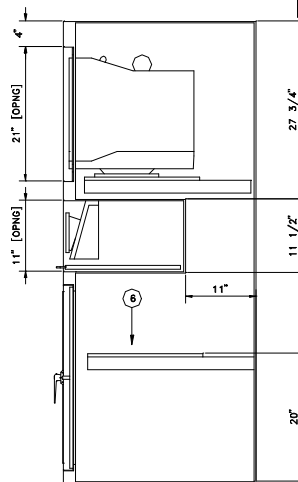
KEYBOARD SUPPORT PLATE



SIDE VIEW

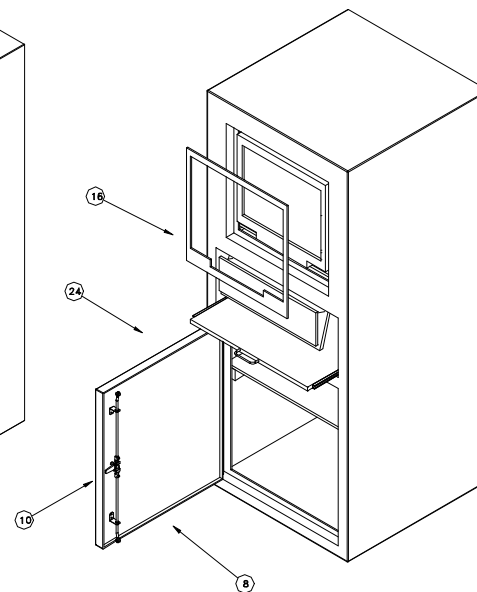
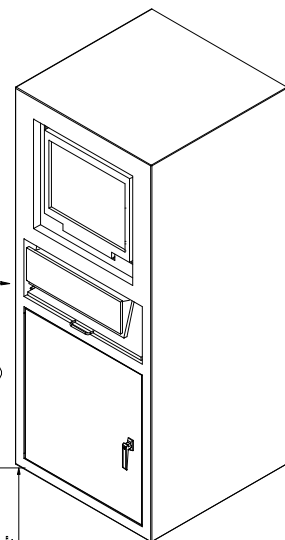


FRONT VIEW



SECTION A-A

KEYBOARD & PULL
OUT SHELF ENCLOSED
BOX



DERAKANE RESIN
APPROVED FOR
PRODUCTION

ITEM	QTY	DESCRIPTION
6	2	18" X 29" SUPPORT SHELF
8	1	28 1/4" X 25 11/16" CPU DOOR
10	1	THREE POINT DOOR LATCH
16	1	SEAL PLATE
24	1	18" X 25" PULL OUT SHELF

REV.	REASON FOR REVISION	DATE	CHK'D
1	REMOVED PLEXIGLASS COVER	12/97	SDS

NOTE(S):
STAINLESS STEEL HINGE

TYPE FF72.30.30 CUSTOM CABINET ENCLOSURE
INTERNAL COMPARTMENT - STATIONARY & SLIDING
SHELVES

SPS fibreFORM MANUFACTURING
& DESIGN, Inc.

DRAWN BY: STEVE SCOTT	SIZE B	FSCM NO.	DWG NO. FF723030	REV 1
CUSTOMER: SEACO / WESTVACO	Scale FULL	DECEMBER,1997	Sheet	