

## SPS fibre FORM Instrument Protection Enclosure Type FF102 .....

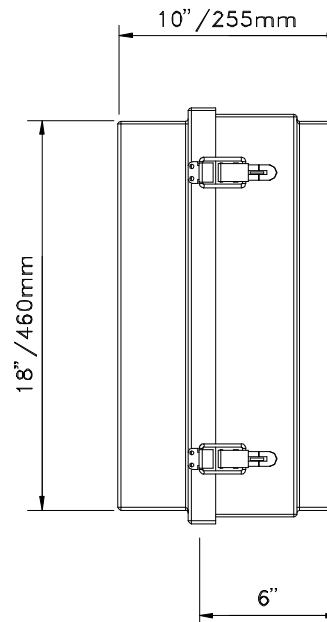
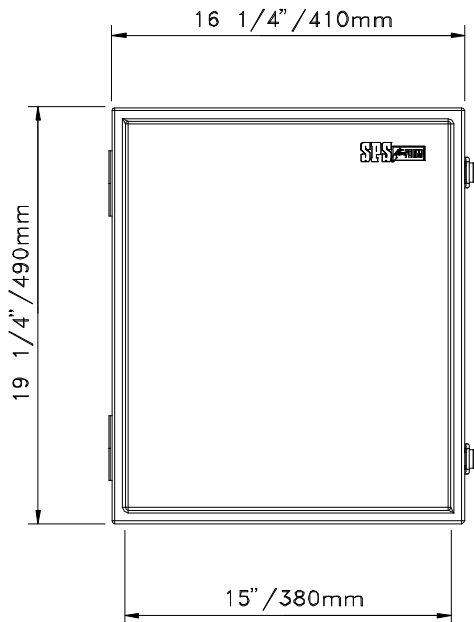
Dimensions: (Approx.) Height x Width x Depth  
18"(460mm) x 15"(380mm) x 10"(255mm)

Weights: (Approx.)

Un-Insulated 14 lbs. / 6.5 kgs.

Insulated 17 lbs. / 7.75 kgs.

SPS fibre FORM enclosures are "Resin Transfer Molded" with glass reinforced epoxy vinyl ester resin. The outer surface standard is light gray colored "Gel-Coat" for ultimate "UV" protection. Stainless steel hinges and clasps combine with a silicon gasket to provide 4X protection.



### OPTIONS:

- |        |                                     |
|--------|-------------------------------------|
| I-PUAL | - Extra Insulation (Aluminum Foil)  |
| I-PUFR | - Extra Insulation (FRP coated)     |
| I-PUSS | - Extra Insulation (Stainless Foil) |
| LPS    | - Stainless Lid Prop-Stay           |
| CMSS   | - Stainless Steel Corner Mount      |
| CMCSP  | - Plated Steel Corner Mount         |
| IMP    | - Internal 2" Instrument Mount Post |
| IMPH   | - Internal Horizontal 2" Mount Post |
| IMPV   | - Internal Vertical 2" Mount Post   |
| EMP    | - External 2" Post Mount Hub        |
| GMP    | - Galvanized Mounting Plate         |
| GWB    | - Galvanized Wall Mount Bracket     |
| RMS    | - Internal Mounting Rail System     |
| PW     | - Plexi-Glass Window                |
| SW     | - Safety Glass Window               |

