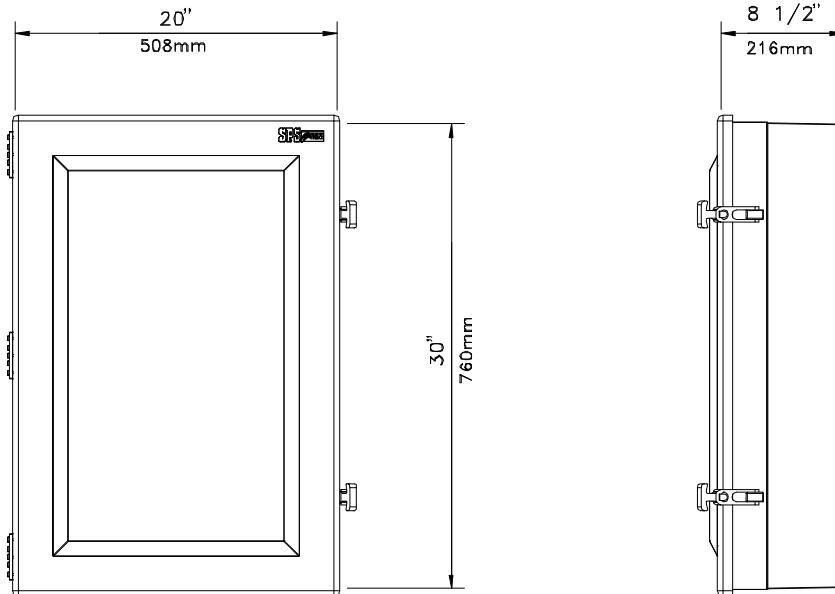


SPS fibre FORM Non-Metallic Protection Enclosure Type FF238

Dimensions: (Approx.) Height x Width x Depth
30"(760mm) x 20"(508mm) x 8 3/4"(220mm)
Wall Thickness: 1/8" / 3 mm
Weights: (Approx.)
Un-Insulated 22 lbs. / 10 kgs.

SPS fibre FORM enclosures are "Resin Transfer Molded" with glass reinforced epoxy vinyl ester resin. The outer surface standard is light gray colored "Gel-Coat" for ultimate "UV" protection. Polypropylene hinges and screws along with flexible draw latches combine with a neoprene gasket to provide protection.



OPTIONS:

VEGC	- Vinyl Ester Gel-Coat
VEFR	- Vinyl Ester Fire Retardant Gel-Coat
PEGC	- Polyester Base Gel-Coat
FSL	- Fiberglass Secondary Latch
PVCCM	- PVC Corner Mount Bolts & Nuts
PVCMP	- PVC Internal Mounting Plate
FMP	- Fiberglass Internal Mounting Plate
FWB	- Fiberglass Wall Mount Brackets
FPB	- Fiberglass 2" Pipe Mount Brackets
FGG	- Fiberglass Secondary Gasket Guard

