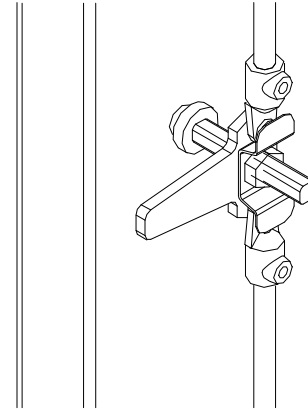
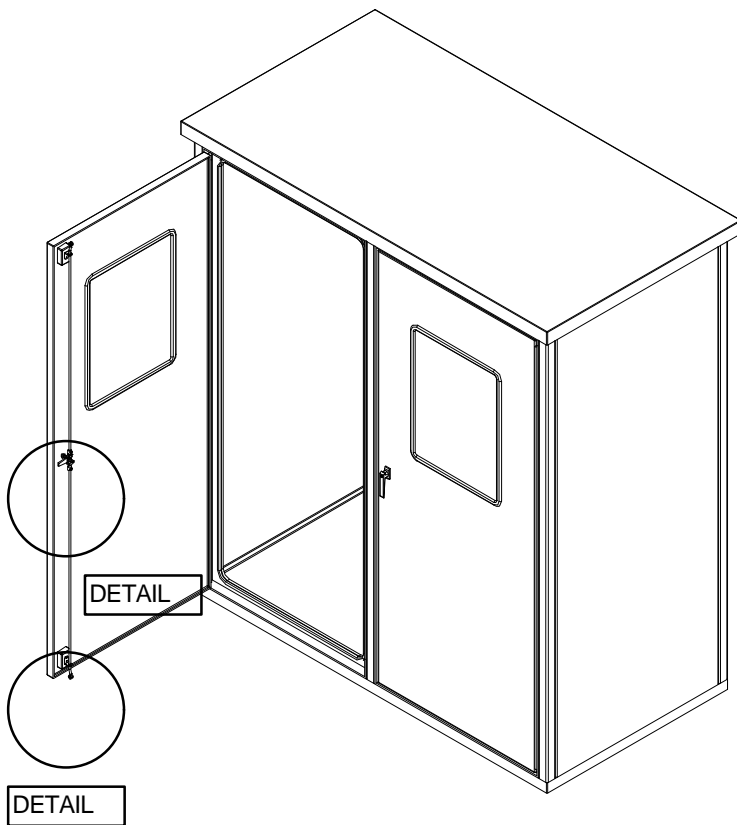
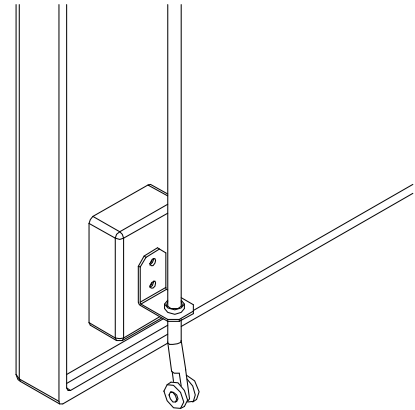

SPS fibre FORM Modular Cabinet Enclosures Door Hardware



DETAIL 'B'



DETAIL 'A'

Three point latch system with either lockable or non lockable handle gives the proper pull in to the protected gasket area to seal the cabinet to 4X specifications. Guides and mechanisms are fully adjustable plus the rollers give maximum sealing in the worst of environments. Double doors can be with and without a mechanism on the second door plus a center post can be present or not with the double door style.