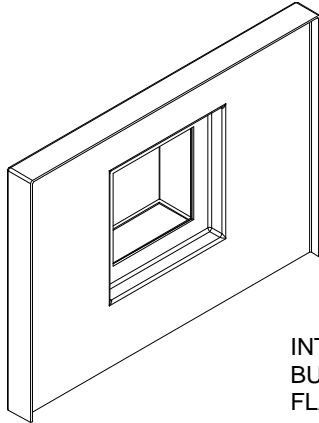
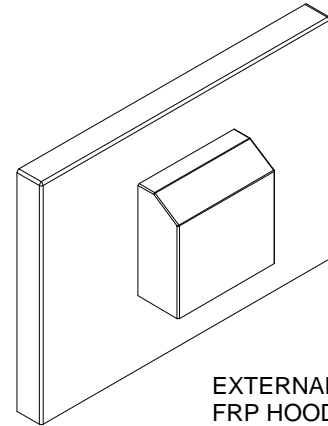


SPS fibre FORM Modular Building Standards FRP Vent Hood

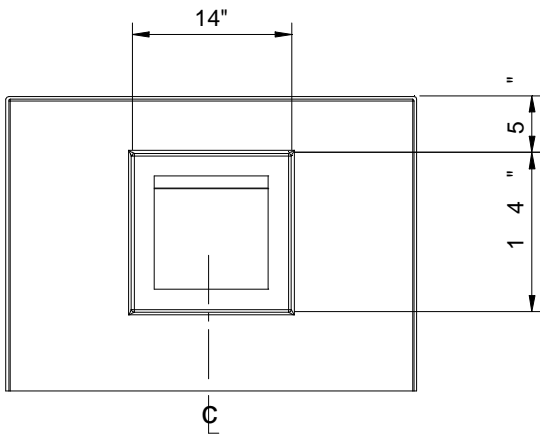
LOCATION STANDARD FOR
12 1/2" x 12 1/2" FRP VENT HOOD



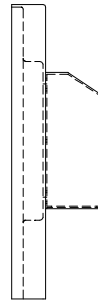
INTERNAL VIEW OF PANEL
BULKHEAD - REQ. 14" x 14"
FLAT BULKHEAD SURFACE



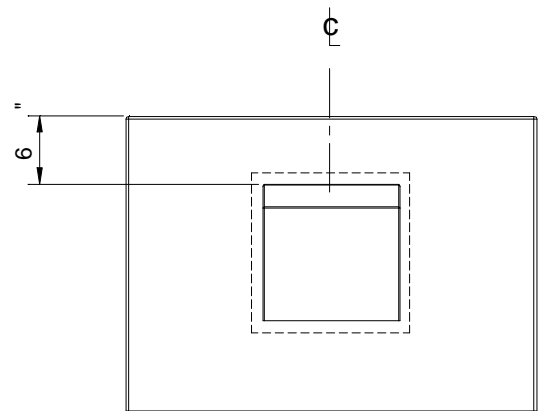
EXTERNAL VIEW OF
FRP HOOD ON PANEL



BULKHEAD LOCATION DETAIL
TYPICAL FOR TOP OR
BOTTOM PANEL LOCATION



SIDE VIEW



FRP 12 1/2" x 12 1/2" x 5"
VENT HOOD
TYPICAL FOR TOP OR
BOTTOM PANEL LOCATION