

### Standard Dimensions

	A	B
2"	CF	CF
3"	60"	96"
4"	60"	96"

Our A-Frame Bottom Transfer Loading Arm (AF-54) is designed for applications where extended reach is needed if vehicles cannot be accurately spotted for loading.

Standard vertical range of motion for the loading arm is 50° to -10° store around horizontal.

## 100% Domestic is our standard!

### Standard Accessories:

- » XL-1.0 heavy duty swivels
- » Easy to adjust spring cylinder balance
- » Material test reports

### Materials of construction:

- » Carbon Steel
- » Carbon/Stainless
- » Carbon/Aluminum

**Excel Loading Systems is your sole source for Loading Arms.**

FIVE YEAR LIMITED WARRANTY



Bottom Loading Arms



Top Loading Arms



Swivels



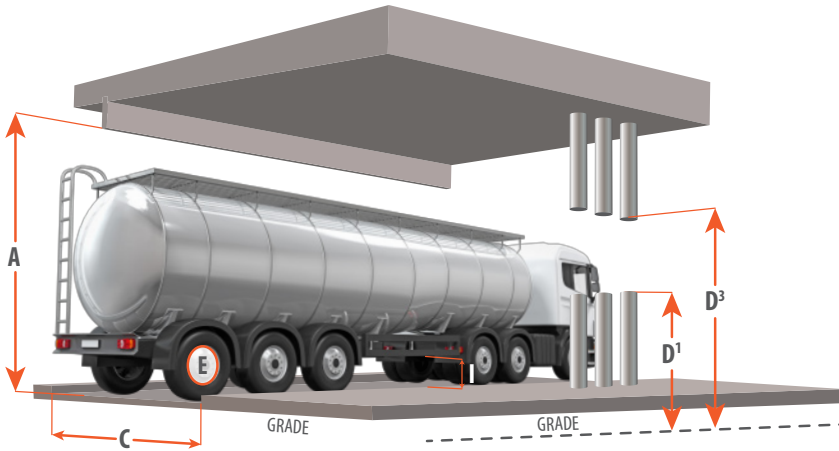
Accessories

Toll Free: 877.277.7287 | Visit us online at [ExcelLoading.com](http://ExcelLoading.com)

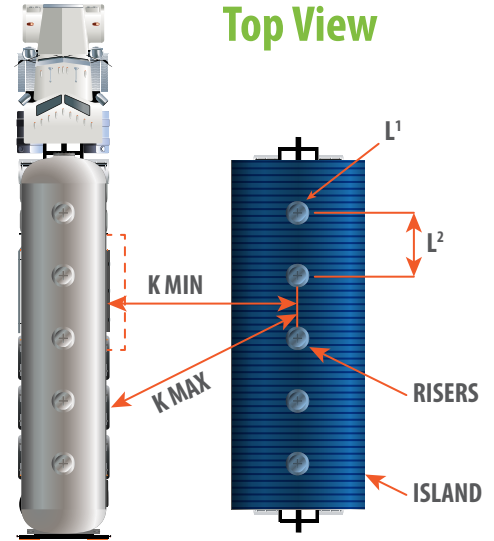
*To Measure*  
SEE REVERSE SIDE



**End View**



**Top View**



**TYPE OF REQUIREMENT**

Rack Identification \_\_\_\_\_ Quantity \_\_\_\_\_  
 Bottom Loading  Tank Trucks  Rail Cars

**MATERIALS TO BE TRANSFERRED**

Product to be handled \_\_\_\_\_ Viscosity \_\_\_\_\_ SSU  
 Temperature \_\_\_\_\_  F, Concentration (if applicable) \_\_\_\_\_  
 Special Characteristics \_\_\_\_\_

**SIZES & CAPACITIES**

Inlet connection type? \_\_\_\_\_  
 Product Pipe Size:  2"  3"  4"  
 Max. PSIG \_\_\_\_\_ Working \_\_\_\_\_ PSIG  
 Flow Rate \_\_\_\_\_ GPM

**DESIRED MATERIALS OF CONSTRUCTION:**

1) Metals:  Carbon Steel  Aluminum  316 Stainless Steel  Other  
 2) Desired Seals:  BUNA  VITON®  TEFLON®  Other

**FEATURES**

Supply piping will feed from:  Below(D1)  Side (D2)  Above (D3)  
 Loading Arms to be  Right Hand  Left Hand  
 Is Shut-off Valve Required?  Yes  No  
 Will Arm Retain Product?  Yes  No  
 Location of valve on arm \_\_\_\_\_  
 Desired Type of Valve \_\_\_\_\_  
 Will Valve be Used to Shut Down Line?  Yes  No

**BOTTOM ACCESSORIES**

Drop Hose:  Composite (Rackmaster) or  Stainless Braided  
 API Coupler:  Yes  No Parking Adapter:  Yes  No  
 LPG – Globe Valve:  Yes  No Size \_\_\_\_\_  
 LPG – Acme Fitting:  Yes  No Size \_\_\_\_\_

**WILL ADDITIONAL EQUIPMENT BE ADDED BY OTHERS?**

(Specify Weight & Location)  
 Electrical Tracing \_\_\_\_\_ lbs/ft  Insulation \_\_\_\_\_ lbs/ft  
 Hose \_\_\_\_\_  
 Valve/Fitting \_\_\_\_\_  
 Other \_\_\_\_\_  
 Other Desired Features: \_\_\_\_\_

**BOTTOM LOADING/UNLOADING**

A. Overhead Clearance \_\_\_\_\_  
 C. Lane Width \_\_\_\_\_  
 D<sup>1</sup>. Ground Level to Top of Riser \_\_\_\_\_  
 I. Ground Level to CL Tank Connection \_\_\_\_\_  
 K. CL of Riser to Tank Fitting  
 Max. \_\_\_\_\_ Min. \_\_\_\_\_  
 L<sup>1</sup>. Number of Risers \_\_\_\_\_  
 L<sup>2</sup>. Distance Between Risers \_\_\_\_\_  
 What Current Metals and Sealing Materials are being used in this application (Pump, Valves and Meters)? \_\_\_\_\_  
 Metals \_\_\_\_\_  
 Seals \_\_\_\_\_